

## Data Sheet for Guide Ring F07

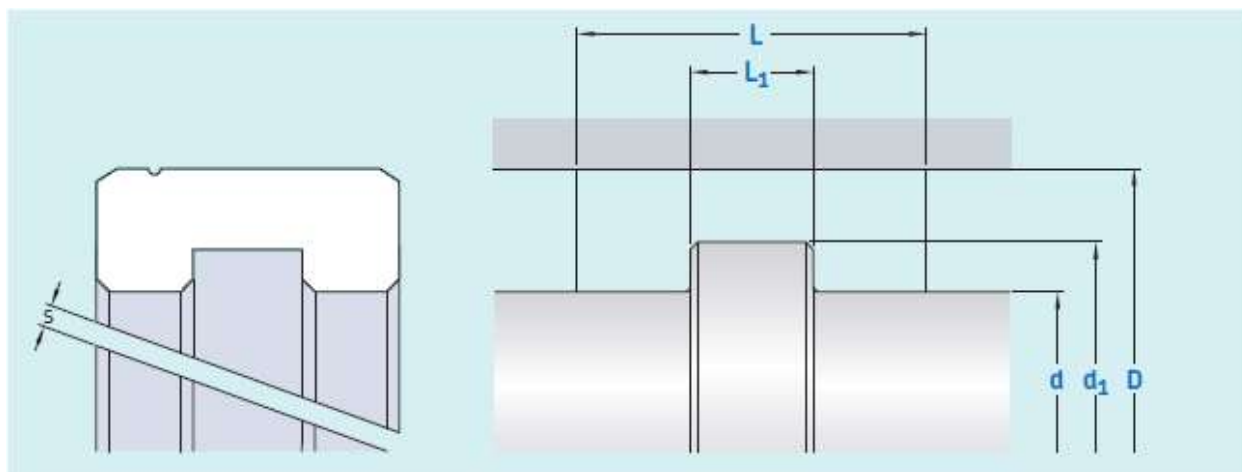
### Technical Data

Speed: Up to 1 m/s

Temperature: Use in mineral oils: -40°C to + 100°C

Media: Mineral oil-based hydraulic fluids.

Seal Materials: ATL,AF1,AF2.



Bore Dia range D mm	Groove OD d mm	Step Diameter d <sub>1</sub> mm	Total Groove Length L mm	Groove Length L <sub>1</sub> mm
28-36	D-6	D-2.8	8.5	3
36-60	D-7.5	D-3.2	10.5	3.5
60-90	D-9	D-3.5	15	5
90-150	D-9	D-3.5	15	5
150-200	D-16	D-7.1	20.3	8
>200	D-17	D-7.5	25	8

Ordering example: Guide F07 120x 111/116.5 x 5/15/ATL