

## Data Sheet for Wiper Seal A13

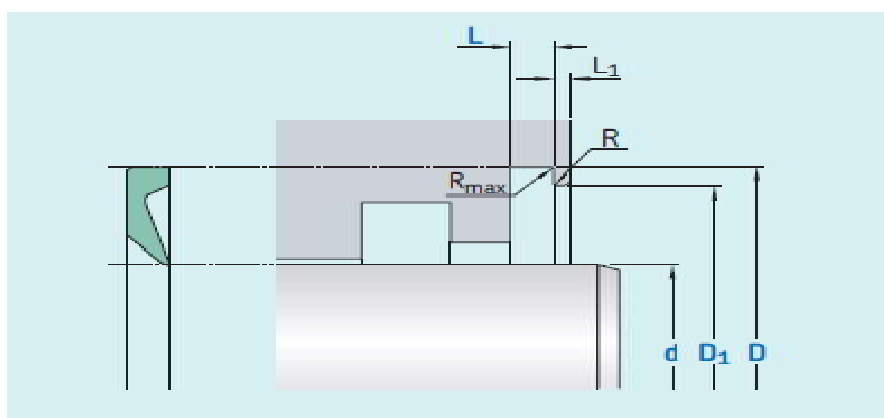
### Technical Data

Speed: Up to 1 m/s

Temperature: Use in mineral oils: -30°C to + 80°C

Media: Mineral oil-based hydraulic fluids.

Seal Materials: ATL



$R_{max}$ : 0.4 mm

Rod Dia range $d$ mm	Groove OD $D$ mm	Neck Diameter $D_1$ mm	Groove Length $L$ mm
5-50	$d+10$	$d+9$	2
50-150	$d+15$	$d+14$	2.5
150-600	$d+20$	$d+18.5$	3

Ordering example: Wiper A13 90 x 104/105 x 2.5 /ATL