

Data Sheet for Wiper Seal A08

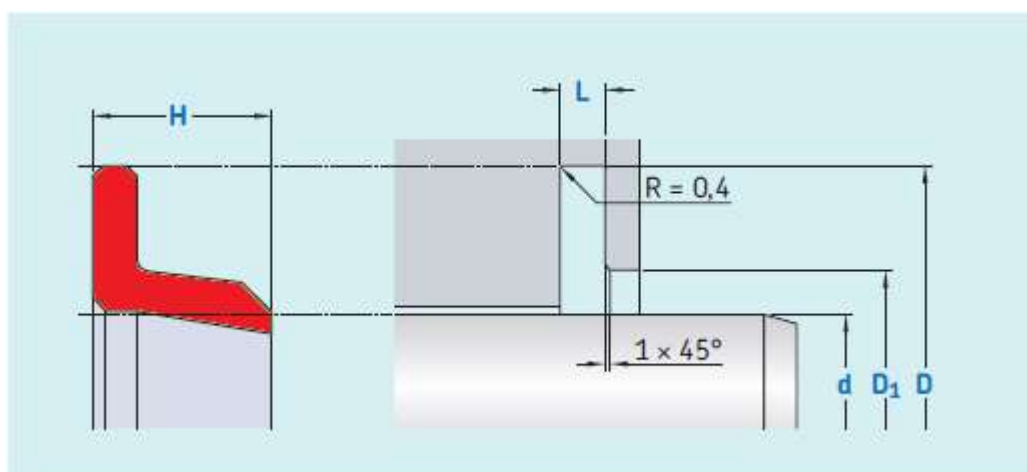
Technical Data

Speed: Up to 0.5 m/s

Temperature: Use in mineral oils: -30°C to $+80^{\circ}\text{C}$

Media: Mineral oil-based hydraulic fluids.

Seal Materials: APU, AR1, AR2.



Since this is a non-standard seal profile no dimensions list is provided. We can custom design this seal to suit any existing housing.